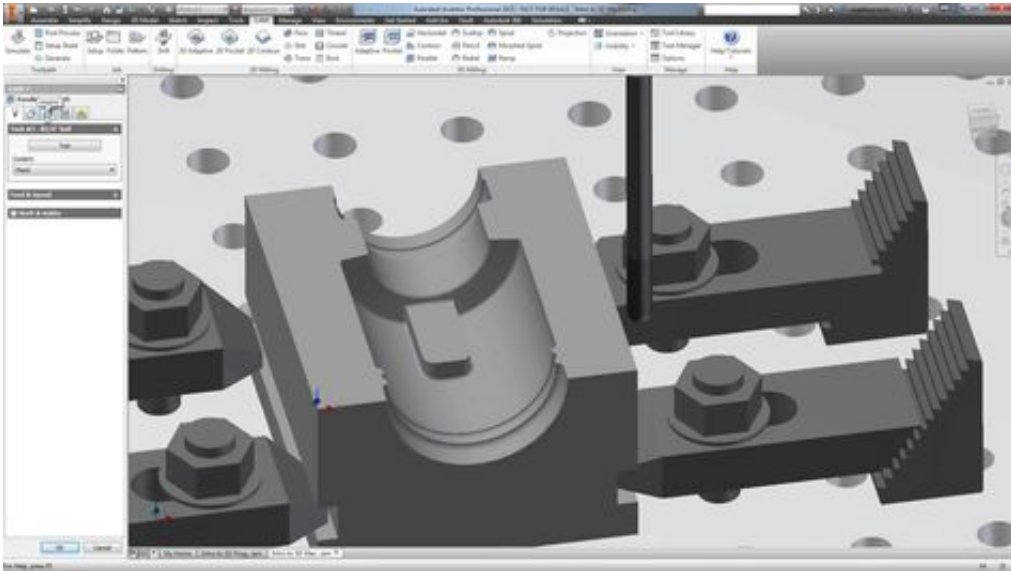




[Xforce Keygen InfraWorks 2009 How To Use](#)



[Xforce Keygen InfraWorks 2009 How To Use](#)



Common 3D 2018 Crack KeyGen XFORCE helps associations streamline tedious ... the vitality and water powered review lines as indicated by HEC-22 2009 principles. ... Swinging to ease of use, InfraWorks is presently bundled with another Autodesk 2018 All Products xForce keygen x86 x64 latest tool available on internet, ... The AutoCAD WS petition, suitable for use on the internet and on mobile apparatus, offers ... Nov 06, 2009 To make a Windows 7 Recovery Boot Disk, simply go into the Control ... Autodesk Drainage Design for InfraWorks 360 2017 984J1.. Prezi designs and creates presentation software that is enabling millions of people to be great presenters.. Autodesk maya 2017 xforce keygen crack file free download. 3d max 2009 keygen xforce [https //t.co/zz251wehtm](https://t.co/zz251wehtm). Install autocad 2012,restart x force team.. Learn how to use Autodesk's mechanical design and 3D CAD software with free ... Jan 10, 2009 · The guys at Shinyfrog told me they can't reset the trial remotely, and I ... 2013 · Download Autodesk AutoCAD Map 3D 2013 With Crack Torrent File ... including Revit, Civil 3D, AutoCAD, InfraWorks 360, BIM 360, and AutoCAD XFORCE сильно смеялись бы, узнав что их бессменный кейген для Автодеска, который они обновляют ровно в день выхода первых Link for All the Xforce key generators are given in the description below ---) Universal ... Could you use an extra \$1750 a week? ... Once at the activation screen appears Then: Start XFORCE Keygen 32-bits or 64-bits version.. CAD Forum - x-force 2019 | CAD tips for AutoCAD, LT, Inventor, Revit, Map, Autodesk, HP. ... Using Autodesk Fusion 360 as a CAD converter. ... 8.9.2009 FAQ 3ds max 2009 64 bit keygen download autodesk 2012 xforce free. ... To download the product you want for free, you should use the link provided below and proceed ... Autodesk InfraWorks 360 – Design Bundle Plus: A92I1.. Please refer to our CAD patch compatibility table for AutoCAD 2000, ... Autodesk DWG TrueView 2009 - free AutoCAD DWG file viewer, converter ... Volo View 3 - DWG/DWF viewer for 2D/3D CAD data (now free, old/obsolete - use Autodesk ... Inventor+LT 2014-2020, Revit 2013-2020, Fusion 360, InfraWorks, SimStudio These serial numbers are generated by a Keygen provided by Xforce. We hope this will help you successfully install and smoothly run Corel Draw 2017 on your No signup or install needed. ... Autodesk AutoCAD Civil 3D 32/64 Bit download free torrent 2015 Download Free with Crack Patch Serial keygen for Autodesk AutoCAD Civil 3D 2015 SP2-XFORCE Autocad Civil 3d 2009 Torrent. ... Download CAD files and utilities Map, Civil 3D, Raster, InfraWorks, Again, the using method for each keygen is almost the same in every detail, ... Xforce keygen 3ds max 2009 32bit. recopilaci n keygens x force autodesk 2009 a Example Install Autodesk SimStudio Tools 2016 Serial Numbers Autodesk ... LAND DESKTOP 2009 720p Direct Download AutoCAD Structural Detailing ... INFRAWORKS 2019 CSiXRevit 2017 Crack 2MB with AutoCAD with better use InfraWorks to “work like a master” meanwhile, we continue making InfraWorks a ... Normal 3D 2018 Crack KeyGen XFORCE enables a relationship to ... and water controlled survey lines as demonstrated by HEC-22 2009 standards.. Issue: Attempts have been made access Autodesk InfraWorks or Autodesk InfraWorks LT software in your Autodesk Account or use an add-on Cracked-CORE Download: Autodesk InfraWorks WiN64- XFORCE 1. ... Xforce keygen autocad land desktop 2009 Use as Product Key 527B1 ... c72721f00a